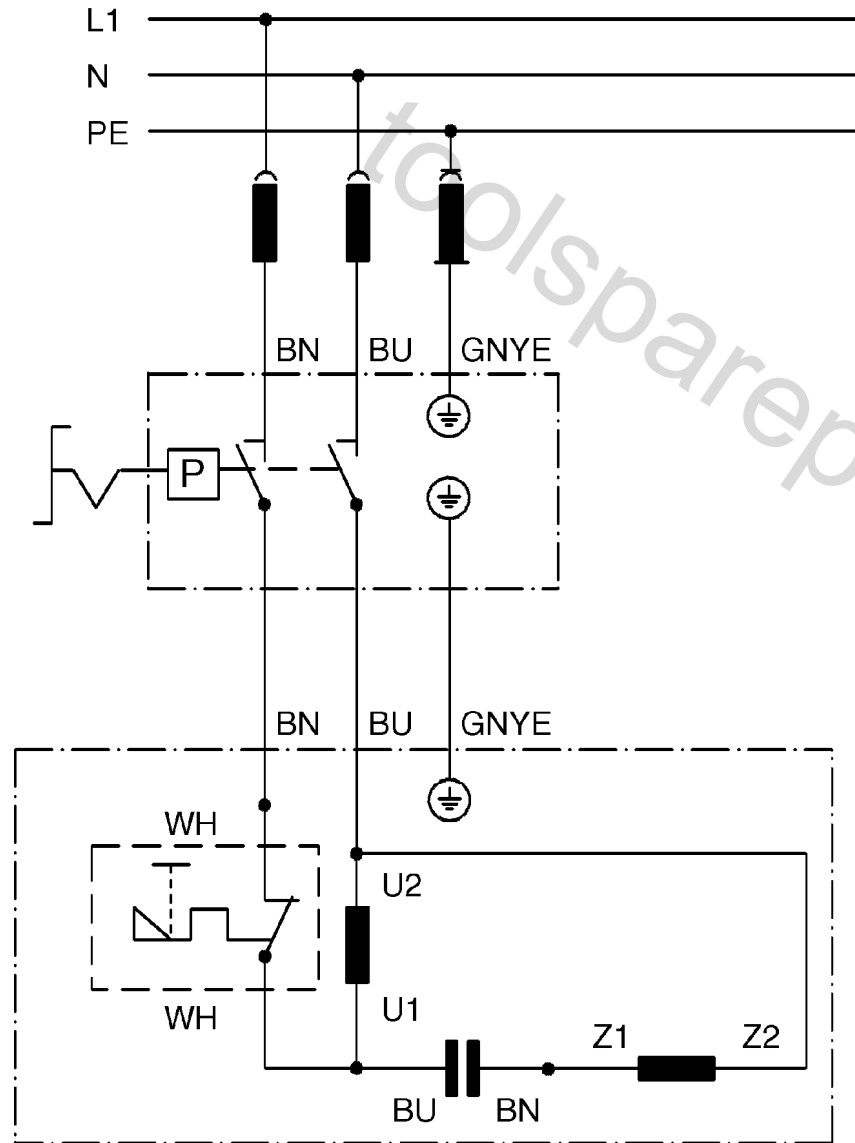


Position	Amount	Type number	Description	PG
1	14	141150050	Washer	10
2	2	6103005270	HEXAGON HEAD SCREW M 10X20 VERZ.	10
3	1	7871032658	REDUCER NIPPL 3/4"X1/2" NR. 241 / VERZ.	15
4	1	7872027356	UNION R 1/2"AG X RD 15 GERADE	22
5	8	6202002313	HEXAGON NUT, PREV. TORQUE TYPE	10
6	1	7871675990	THREADED PLUG 1" NR.596 / VERZ.	20
7	1	7830029286	DRAIN VALVE R 1/2"	31
8	2	7271663832	SWIVEL PLATE CASTER RD 75X25 M.FESTSTELL	28
9	2	6127609460	HEXAGON SOCKET HEAD CAP SCREW M 10X25 VE	10
10	2	6202024139	HEXAGON NUT, PREV. TORQUE TYPE	10
11	4	6305002508	WASHER B 13 VERZ.	10
12	2	7270663825	WHEEL, PNEUMATIC TYRE RD 260/85 M.STAHLF	38
13	2	6300016705	Washer	10
14	2	6102024123	HEXAGON HEAD SCRE M 12X80 VERZ.	10
15	1	8402094428	CABLE, RUBBER JACKET,WITH PLUG A=437.1U	27
16	2	1341630874	HANDLE	20
17	6	6172039616	CROSS REC'D PAN HEAD TAP.SCREW ST 3,5X19	10
18	1	1317677835	HANDLE TUBE RDA 20X1,5X1231 GEBOGEN	40
19	1	1001678430	HOSE COIL ASSEMBLY ET	54
20	1	7802009105	Quick COUPLER, SLEEVE R 1/2" AG	
21	1	7871026968	REDUCER NIPPL 1"X1/2" NR.241 / VERZ.	16
22	4	6103001259	HEXAGON HEAD SCREW M 10X40 VERZ.	10
23	1	1317678300	COPPER PIPE RD 15X1X1250 GEBOGEN	36
24	1	1001193151	CHECK VALVE, ELBOW TYP R 1/2"X RD 15 M.G	40
25	1	1341645472	HOSE CLAMP	10
30	2	6172001830	Fillister head screw	10
31	2	6265167657	TIN NUT	12
32	2	1341634594	BEARING BLOCK	13
33	1	7872675854	ELBOW TAP CONNECTOR R 1/4"A X 10MM M.O-R	25
34	1	1341634608	CRANK	13
39	1	8050684831	CAPACITOR 60uF Ø50X120 MIT FLACHSTECKER	37
40	2	7872675854	ELBOW TAP CONNECTOR R 1/4"A X 10MM M.O-R	25
41	1	8101149774	AUTOM. PRESSURE CONTROL SWITCH 6-8 BAR 2	37
42	1	8401664069	CABLE, RUBBER JACKET, W/O PLUG A=70 GE/G	19
43	1	7834660835	RELIEF VALVE EV2 S	26
44	2	7851190842	PLASTIC HOSE BLACK RD 6X1X1000 SCHWARZ	17
45	1	7230663917	V-BELT SPA 1400	30
46	4	6127056666	HEXAGON SOCKET HEAD CAP SCREW M 10X35 VE	12
47	1	8012663880	ELECTRIC MOTOR 1X230V 50HZ 2800UPM B3 /M	65
48	4	6209675984	FLANGE NUT M 10 VERZ./VERZAHNUNGS AU F	10
49	4	141130930	Hexagonal lock nut	10

50	2	141150020	Washer	10
51	4	7872722836	TUBE FITTING 1/8"X RD 6 GERADE-STECKBAR	18
52	6	6209110995	Flange nut	10
53	1	7851675935	PLASTIC HOSE RD 6X2X100000 DRUCK./HITZEB	25
54	12	6172722847	CROSS REC'D PAN HEAD TAP.SCREW ST 4,2X13	11
55	1	1001729000	Belt guard compl.	54
56	1	1312722360	PROTECTIVE GRATING, REAR BL 1,50X416,5X6	48
57	4	6121121296	HEXAGON SOCKET HEAD CAP SCREW	10
58	1	7820724784	FILTER PRESSURE REGULATOR ASS' FR 1/4"/0	47
59	1	7871664190	TUBE FITTING 1/2" I X 1/2" A LÖSBAR	25
60	1	7872663090	ELBOW TAP CONNECTOR 1/4" A X 6MM M.O-RING	23
61	1	7809664206	REDUCER BUSHING 1/2" I X 3/8" A	21
62	1	7812052440	PIPE NIPPL 1/2" X 150 VERZINKT	19
63	1	1312722492	CONNECTING PLATE BL 1,50X25,5X68,5 MEGA	19
64	1	7243676007	LOCKING BUSH 1610-24 / NUT 8 MM TAPER	25
65	1	7240663966	V-BELT PULLEY TBA 132-1-1610	31
66	1	6721608849	FEATHER KEY A 8X7X35 ET	10
67	2	141114860	Hexagon head screw	12
68	4	141151340	Washer	10
69	2	1001697303	INTEGRATED PRESSURE GAUGE RD 40 R1/8" I 0	31
70	1	1312722506	RETENTION PLATE BL 2,00X262X276,5 MEGA 5	32
73	1	1312715119	FAN COVER ERR 90 ET MEGA 500	34
74	1	1312714724	FAN WING T 90 L-2	29
100	1	1313663848	COMPRESSOR PUMP B3800B M.LÜFTERRAD RD350	67
101	1	7825156113	AIR FILTER ET	32
102	2	1319164100	PISTON RING RD 60X2 ET	30
103	2	1319164118	PISTON RING RD 60X2 ET	31
104	2	1319164126	OIL WIPING RING RD 60X3 ET	32
105	2	1319163766	PISTON RD 60 ET	37
106	2	1315163885	GUDGEON PIN RD 15X50 ET	29
107	4	6401627241	CIRCLIP FOR BORES 15X1 ET	10
108	2	1319657378	CONNECTING ROD ET	37
109	2	7635157067	ROTARY SHAFT SEAL ET	23
110	1	1319720150	HOUSING LID	33
111	1	1319678391	FLYWHEEL RD 350 ET	58
112	1	1315166400	WASHER 8,5X30X5 ET	19
113	1	6121000839	Cap screw	10
114	2	1319157022	PACKING, BEARING CAP ET	14
115	2	7100157076	DEEP GROOVE BALL BEARING 25X52X15 6205	32
117	1	1319655073	CYLINDER HEAD ET	44
118	1	1319151431	PACKING, AFTERCOOLER ET	23
119	1	1319707448	AFTERCOOLER 11 LAMELLEN B3800B /ET	33

120	1	1319155933	VALVE ASSEMBLY ET	52
121	2	1319655146	PACKING, VALVE PLATE ET	23
123	1	1319657394	CYLINDER FOOT GASKET ET	30
124	1	1319157049	BEARING CAP, PINION END ET	25
125	1	1319155860	OIL SIGHT GLASS 1/2" ET	22
126	1	1319657386	PACKING, HOUSING LID ET	30
128	1	1319655138	CYLINDER HEAD GASKET ET	25
129	1	1319655111	OIL WIPING SCREW 3/8" ET	27
130	1	343409730	Circuit breaker, 18A	36

spareparts.com.au



	Litzenfarben	Colour of strands	Couleur des cordons
BK	schwarz	black	noir
WH	weiß	white	blanc
BU	blau	blue	bleu
YE	gelb	yellow	jaune
RD	rot	red	rouge
TR	transparent	transparent	transparent
BN	braun	brown	brun
GY	grau	grey	gris
GNYE	grün-gelb	green-yellow	vert-jaune
BKWH	schwarz-weiß	black-white	noir-blanc
GN	grün	green	vert
OG	orange	orange	orange
VT	violett	violet	violet
TQ	türkis	turquoise	turquoise

	Bedeutung der Kurzzeichen	Meaning of the symbols	Interprétation des symboles
B	Stecker	plug	fiche
C	Kondensator	condenser	condensateur
D	Funkentstördrossel	interference suppression inductance	inductance d'antiparasitage
E	Elektronik-Baustein	electronic unit	unité électronique
I	Induktionsspule	induction coil	bobine d'inductance
K	Klemme	terminal	borne
L	Licht	light	lumière
M	Motor	motor	moteur
O	Überlastschutz	overload cut-out	déclencheur de surintensité
R	Drehrichtungsumschalter	reversing switch	commutateur droite-gauche
S	Schalter	switch	interrupteur
U	Umschalter	change-over switch	commutateur
X	Elektronik-Element	electronic element	élément électronique